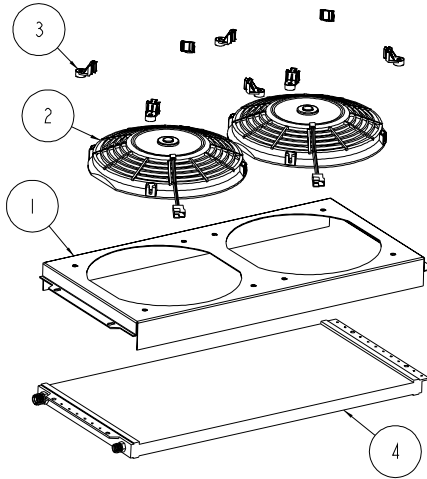
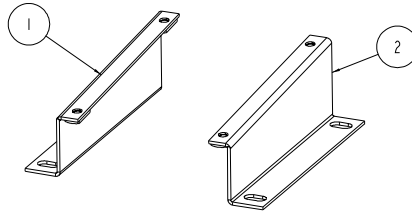


## Model EE620 Service Parts



ITEM	PART #	DESCRIPTION	ITEM	PART #	DESCRIPTION
1	203091	MOTOR CLAMP BRKT	3	405832	FAN MOUNT FOOT
2	450789	FAN, 12V	4	450773	CONDENSER COIL
	450790	FAN, 24V			

## Mount Kit 1761 Parts



ITEM	PART #	DESCRIPTION	ITEM	PART #	DESCRIPTION
1	203092	MOUNT BRKT, LH	2	203093	MOUNT BRKT, RH

For Reference Only, Subject to Change without Notice

This document was created with Win2PDF available at <http://www.daneprairie.com>.  
The unregistered version of Win2PDF is for evaluation or non-commercial use only.